



KEN**CK**

2015 Product Catalog

The BOLT stops here!

Over 500,000 Customers are Protected **KENICK**

We Make Doing Business Easy



At KENICK, we believe in selling superior products and maintaining excellent customer relationships.

That's why when you call KENICK, you get a person, not a voice mail system. And if we can't answer your question, we figure out who can, and get back to you...quickly! (We know it might seem unusual, but we actually like talking to our customers.)

KENICK wants to help you operate and grow your business. That's why we offer Power Quality 101 training classes to all of our utilities as well as free technical support. Not only for the products that we sell, but also for any power system distribution related questions. Our tech support is available all the time, even after hours and on week-ends.

Our owners and managers are all engineers, with more than 50 years of combined experience. They love a challenge. If you have a problem that you can't figure out, call us and ask - chances are, we have heard it before!

KENICK supports Made-In-The-USA products as often as possible. Our SS320A Low Profile Meter Base Arrester is manufactured in St Petersburg, FL. Furthermore, we will not sell a product that we do not believe in and have not tested ourselves.

We operate our own 200,000 Amp testing lab where we rigorously examine the capabilities of all of our products. If you want to learn more about surge products, come visit our lab.

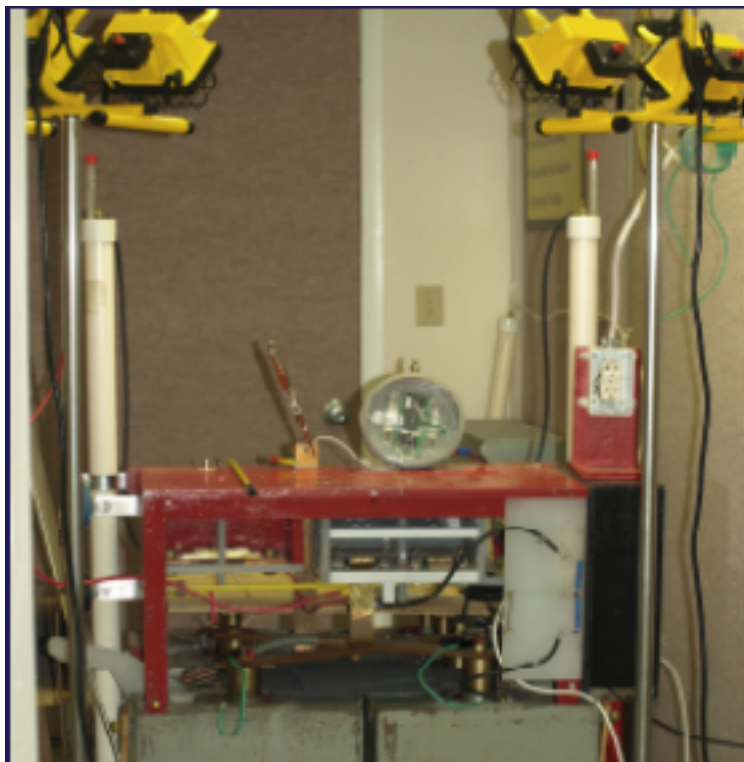
KENICK currently assists over 115 Investor Owned Utilities, Cooperatives, and Municipals with their surge protection, training and technical support needs. Being efficient and effective in today's market is crucial to the long-term health of any operation.

We enjoy helping you streamline and grow your program. Let us make it easy!

Tested Tough

As an independent company that does not represent any single manufacturer, KENICK supplies only products that meet our stringent performance and safety standards. In order to fully examine the protection capabilities of all of the products that we sell, KENICK has its own 200,000 Amp testing lab on-site at our head-quarters in St Petersburg so that we wouldn't have to take anyone else's word for it.

We regularly examine the protection capabilities of all of products. If you have a product that is "under consideration", send it to us and we will tell you how it measures up. Even better, bring it with you and see our lab in action!



Product Line Up

Please know that if you don't see what you are looking for we have over 500 different surge protection and power quality products, but only the most popular make the catalog. If you don't see what you need, just give us a call at 800.362.9997.

SS320A

Space Saving
Meter Arrestor



- Thin low profile meter arrestor
- Use in 200 Amp and 320 Amp meter enclosures
- Low clamping voltage at high surge currents
- Thermally fused
- Easy to install two part ground wire
- UL 1449 3rd Edition Listed TYPE 1

LB25

Space Saving
Meter Arrestor



- Thin low profile meter arrestor
- Use in 200 Amp and 320 Amp meter enclosures
- Low clamping voltage at high surge currents
- Thermally fused
- Easy to install two part ground wire
- UL 1449 3rd Edition Listed TYPE 1

MPAF

Residential
Hard Wire Device



- 40 kA8/20 us per phase
- Type 1 SPD, UL® 1449 Edition 3 Listed
- All standard service voltages
- Compact NEMA®-4X enclosure can be flush mounted or outdoors
- LED status indication

MPM8AV



- 8 protectiveness
- Twin video suppressors
- Telephone suppressor
- Include video phone/ cables
- Nanosecond speed
- Meets IEEE-587CAT. B
- Multi-Function Indicators
- UL14493rd Edition Listed

US1206



- 6 rotating power receptacles
- Two video suppressors
- Two line phone protection
- RJ-45 Network protection
- Nanosecond-Speed
- Includes video and phone adapters
- Multi-Function-Indicator

CSS Series

EXT100M

EXT50C

VSS20

HSP-121-BT-



- 120 Volt General Use
- Single Receptacle
- Simple Plug-In Installation
- Intelligent indicator diagnoses wiring and grounding
- Available with telephone protection
- Available with video protection

- Hot Swappable-Field Replaceable Modules
- Single or Three-Phase
- Compact installs on any panel
- Intelligent: indicators for each protection mode
- High surge capacity
- Internally fused-with 200k AICrating

- Single or Three-Phase
- Compact for installation on virtually any panel
- Intelligent: indicators for each protection mode
- High surge capacity
- Internally Fused-with 200k AIC interrupt rating

- 120or240Volt 20Amp Series Hardwired
- Automatic recovery
- Fast response-time
- Powerline tracking
- Multi-Stage Hybrid Design
- Easy Installation

- 120Volt 15Amp Hardwired
- Automatic recovery
- Fast response-time
- Powerline tracking
- 3 Stage Hybrid Design
- UL1449 Recognized

PC642 Series



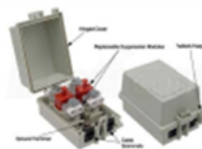
- Lightning Protection for Low Voltage
- Data Signal Lines
- Three-Stage Protection
- Sneak/Fault Current Protection
- Re-settable Fusing-PTC's
- Low Capacitance-option²
- Plug-in Module
- UL497B Listed

FAs-Tel & Fas-



- <1 Nanosecond Response Time
- Solid-State Silicon Break over Technology
- Low Capacitance
- UL497A Listed
- Resettable fuses PTCs

Service Entrance



- Designed to be installed with main electrical surge suppression
- Automatic recovery
- Fast response-time
- High Energy video suppressor
- Dual telephone-line protector with replaceable modules
- Meets all applicable standards

PMD2



- 120 Volt General Use
- Twin Receptacle
- Simple Plug-In Installation
- Intelligent indicator diagnoses wiring and grounding
- Available with telephone protection, video protection or both
- Multi-stage protection

SpaceSaver SS320A Meter

Kenick.com | 800.362.9997



Features:

- Thin low profile meter arrester
- Use in 200 Amp and 320 Amp meter enclosures
- Low clamping voltage at high surge currents
- Thermally fused
- Easy to install two part ground wire
- UL 1449 3rd Edition Listed TYPE 1

DESCRIPTION

The SS320A meter base arrester is your first line of defense against power surges. It has a low profile design and can be installed on up to Class 320 (320 amp) residential and commercial meter enclosures.

The SS320A protects electrical circuits and larger electromechanical appliances. It contains high energy surge protection elements that can handle surges in excess of 45,000 amps per electrical line.

The SS320A is designed for safety with a thermal disconnect on each phase conductor and an internal shield for safe installation. A "dual-redundant" LED light source verifies that the SS320A surge protection circuit is functional.

SPECIFICATIONS

- Very low profile: 1.2" inches
- UL listed for up to 320 Amp services
- 240 Volt Single Phase Applications
- Simple ON/OFF Indicator (Dual Redundant)
- Plastic Safety Cover with Insertion Guide
- Two Part Ground Lead with Connector
- Response Time: Less than 1 Nanosecond
- Maximum Surge Handling (single shot): >60,000 Amps
- Maximum Energy Absorption... 4,000 joules
- Initial Clamp Voltage L to G : 240 volts (Nominal)
- Maximum Continuous Over Voltage (MCOV) 240 V
- Thermal Disconnect: T-MOV
- Maximum Fault Interrupt Rating.. 200,000 Amps



MODEL NUMBERS

Application

200 to 320 Amp Meter Enclosures

200 to 320 Amp Meter Enc. w/5th Jaw

Optional 36 inch ground lead extension:

Quick-Drill™ ground connector option

Order Model

SS320A

SS320A-5J

SS320-36G

add "-QD"

**Features:**

- Thin low profile meter arrester
- Use in 200 Amp and 320 Amp meter enclosures
- Low clamping voltage at high surge currents
- Thermally fused
- Easy to install two part ground wire
- UL 1449 3rd Edition Listed TYPE 1

DESCRIPTION

The SS320-LB25 represents the “next generation” of our industry acclaimed SS320A low profile meter base surge protector. It is the first line of defense against incoming transient surges and is UL1449 3rd Edition listed as a “Type 1” device.

The SS320A provides maximum protection for electrical circuits and electro-mechanical appliances. It uses the latest in T-MOV technology, providing maximum protection while eliminating the risk of catastrophic failure under extended over-voltage conditions.

The SS320A-LB25 uses 200k IAC current limiting fuses, allowing for installation on residential and small commercial meter services, up to and including 320 AMP meter enclosures. The fuses are designed to handle both surge and thermal protection modes and includes protective shielding and a simple dual-redundant indicator light to verify operation.

MODEL NUMBERS**Application**

- 200 to 320 Amp Meter Enclosures
- 200 to 320 Amp Meter Enc. w/5th Jaw
- Optional 36 inch ground lead extension:
- Option w Broadband over Power Line

SPECIFICATIONS

- Very low profile: 1.2”inches
- UL listed for up to 320 Amp services
- 240 Volt Single Phase Applications
- Simple On/Off Indicator (Dual Redundant)
- Plastic Safety Cover with Insertion Guide
- Two Part Ground Lead with Connector
- Response Time: Less than 1 Nanosecond
- Maximum Energy Absorption: 4000 Joules
- Maximum Surge Handling (single shot):> 60,000 AMPS
- Initial Clamp Voltage L to G: 240 Volts (Nominal)
- Maximum Continuous over Voltage (MCOV) 240 V
- Thermal Disconnect: T-MOV
- Indicator Lidge: Single Light Tube/Dual Redundant LED
- Maximum Fault Current Interrupt Rating: 200,000AMPS

EASY INSTALLATION

The clear plastic shield guides meter legs safely into the arrester jaws insuring proper insertion. The two part ground wire is connected to the meter enclosure neutral first, then

**Order Model**

- SS320-LB25
- SS320A-LB25-5J
- SS320-LB25-36G
- SS320-LB25-PL



Features:

- 40 kA/20 μ s per phase
- Type 1 SPD, UL® 1449 Edition 3 Listed
- All standard service voltages
- Compact NEMA®-4X enclosure can be flush mounted or outdoors
- LED status indication

DESCRIPTION

The MPAF Series of Surge Protection Devices provide economical protection against damaging transients and surge events. These products are UL and cUL® listed to 1449 Edition 3 as Type 1 devices. They have a 200 kIAC interrupt rating so they can be installed on services capable of up to 200 kIAC fault current. This allows them to be installed on the line or load side of the service panel in accordance with the NEC® 2011 without the requirement for additional circuit breakers or fuses.

Primary applications are service entrance, branch and OEM panels UL 96A lightning protection installations and light pole applications. The housing is constructed of UV-stabilized thermoplastic and designed to meet the UL 50 Type 4 rating, making it ideal for both indoor and outdoor NEMA 4X applications.

SPECIFICATIONS

Response Time	<1 nanosecond
Maximum Surge Current	40,000 Amps/phase
Max. Energy Absorption (2ms)	360 Joules per phase
Max Interrupt Current	200 kAIC
Enclosure	NEMA 4X
Mounting	3/4" standard for 1.14" dis. knockout
Nominal Discharge Current	20 kA 8 x 20 per mode
Failure Mode	Failsafe (short) and Fused
Failure Indication	LED Indicators
Surge Life @ 10,000A	>50 Occurrences
Size	2.44" x 3.43" x 3.90"

INSTALLATION INFORMATION

The MPAF SERIES SPDs are supplied with 18" of 12AWG leads for a direct hardwired connection. With the POWER OFF, connect the neutral conductor of the SPD to the neutral lug in the panel. Connect each black lead (phasing is not critical to the operation). Wire lengths should be minimized to improve performance. There is no minimum wire length requirement. See installation instructions included in box for details.

ORDERING INFORMATION

Models:

MPAF120-1P	single pole 120V to ground
MPAF240-1P	single pole 240V to ground
MPAF120/240-1P	two pole 240 V phase to phase
MPAF208-3P	three phase 120/208 V
MPAF480-3P	three phase 277/480V

MPM8-AV Multimedia



Features:

- 8 protected power receptacles
- Twin video suppressors
- Telephone suppressor
- Includes video/phone cables
- Nanosecond Speed
- Meets IEEE587CAT. B
- Multi-FunctionI indicators
- UL14493rdEditionListed

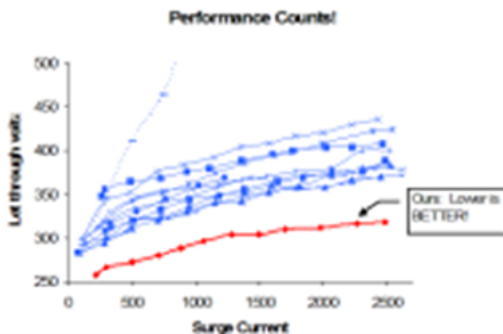
DESCRIPTION

The MPM8-AV Multimedia Power Strip suppressor has eight receptacles to power your sensitive electronics. Its high energy circuitry absorbs and reroutes surge energy to ground or, in the event of catastrophic surge, completely disconnects power.

The MPM8-AV receptacles are spaced to fit power blocks (transformers). Diagnostic lights indicate proper grounding and outlet wiring.

PERFORMANCE

The MPM8-AV multi stage protection han-



dles six times the surge energy while still protecting your sensitive electronics. Let through voltage is the lowest on the market at a full 3,000 amps surge current.

VIDEO Protection

MPM8-AV is cable and HD ready with twin coaxial modules to protect cable TV, satellite and cable modems.



TELEPHONE Protection



MPM8-AV is also telephone ready with phone line protection including PTC auto-reset modules to protect pay per-view, fax, telephone lines and modems.

WARRANTY INFORMATION

MPM8-AV is a Panamax product supplied by PEMCO. MPM8-AV is warranted by PEMCO to its standard warranty.

US1206 Universal Suppressor

Kenick.com | 800.362.9997



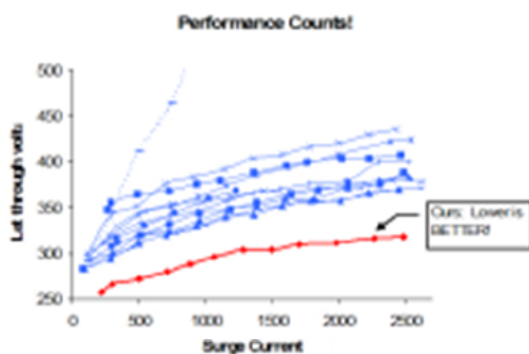
Features:

- 6 rotating powerreceptacles
- Twovideosuppressors
- Two line phone protection
- RJ-45Networkprotection
- NanosecondSpeed
- Includesvideoandphone adapt-ers
- Multi-FunctionIndicator

DESCRIPTION

US1206 universal suppressor has six receptacles to power your sensitive electronics. Its circuitry absorbs and reroutes surge energy to ground or, in the event of catastrophic surge, completely disconnects power.

US1206 receptacles rotate so that cords are out of the way for installations behind desks and other furniture. The US1206 includes intelligent indicators to diagnose proper grounding and outlet wiring.



SIX TIMES STRONGER

The US1206 multi-stage protection handles six times the surge energy while still protecting your sensitive electronics. Let through voltage is the best on the market even at a full 3,000 amps surge current.

SWIVEL RECEPTACLES

Uses less space for very compact installations



VIDEO Protection

US1206 is cable ready with twin coaxial suppression modules protect cable TV, satellite and cable modems.



PHONE Protection

US1206 is also telephone ready with phone line protection including twin PTC auto-reset modules to protect pay per-view, fax, telephone lines and modems.



NETWORK Protection

The US1206 includes network protection for computer networks. Standard RJ-45 cables have all 8 wires protected.





Features:

- 120 Volt General Use
- Single Receptacle
- Simple Plug-In Installation
- Intelligent indicator diagnoses wiring and grounding
- Available with telephone protection
- Available with video protection

DESCRIPTION

The CSS series compact suppressor is designed to protect 120 Volt electronics with up to 15 amps current carrying capability.

The CSS series is a single stage receptacle suppressor that plugs into a standard wall outlet. It uses larger surge elements but does not have multi-stage protection circuitry.

The CSS series is used to protect simple electronics, microwaves, and garage door openers.

The CSS series is available with a telephone suppressor, with a video suppressor, and as a stand alone single outlet suppressor.

120V single circuit

UL Clamp Voltage (500) amps: < 330 volts

Response time: less than 1 nanosecond

Powerful 20mm MOV elements

Thermal fused MOVs for fail safe disconnect

CSS-1T



CSS-1V



ORDERING INFORMATION

All models are 120 Volt single circuit.

CSS-1 Single Receptacle

SPECIFICATIONS

CSS-1T Single Receptacle Combo with telephone protection

CSS-1V Single Receptacle Combo with video protection



Features:

- Hot Swappable/Field Replaceable Modules
- Single or Three Phase
- Compact-installs on any panel
- Intelligent: indicators for reach protection mode
- High surge capacity
- Internally fused with 200kAIC rating

DESCRIPTION

The EXT100M Series is a compact, state of the art high energy surge protection system. Its compact size saves valuable electrical room space. Plus, it can be installed in most retro fit situations.

Available with a surge rating of 100kA, the EXT100M is listed to UL 1449 Edition 2.5 and UL 1449 Edition 3. The EXT100M is listed as a TYPE 1 device which means you don't have to worry about where to install it- it can be installed upstream or downstream of the service main disconnect. The EXT100M series is **Modular and "Hot Swappable"**- the surge modules can be field replaced without removing the suppressor!

Using special technology, the EXT series has lower let through voltages at high surge currents than standard similar devices. In addition its technology prevents premature failure under unusual voltage conditions. Exclusive multipath protection means that redundant surge elements continue to provide protection even should an internal surge element fail.

The EXT series includes intelligent indicators for each protection mode. You can confirm total protection with a quick inspection. In addition the 100kA EXT100M series units include dry contacts for optional remote monitoring.

INSTALLATION INFORMATION

The EXT series is listed as a TVSS to UL1449 edition 2.5 and Edition 3. The EXT series is rated as a TYPE 1 device for installation on electric services upstream or downstream of the main. It must be installed per National Electric Code.

The EXT can be installed on services rated up to 200,000 Amps fault current without external fusing.

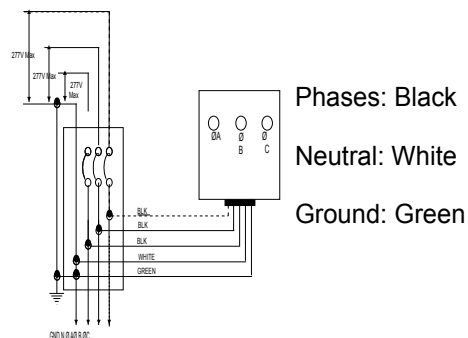


For services rated more than 200,000 Amps, contact KENICK.

ORDERING INFORMATION

Available in the following Models:
EXT100M-120/240 1Ph,
EXT100M-120/208Y 3Ph,
EXT100M-120/240D 3 Ph,
EXT100M-277/480 3 PH

Surge ratings:
EXT100M: 100,000 Amps Peak Surge Rating/Phase



EXT50C Series



Features:

- Single or Three Phase
- Compact for installation on virtually any panel
- Intelligent: indicators for each protection mode
- High surge capacity
- Internally Fused with 200kAIC interrupt rating

DESCRIPTION

The EXT50C Series SPD is a compact, state of the art surge protection system. Its compact size saves valuable electrical room space. Plus, it can be installed in most retrofit situations. Available with a surge rating of 50kA, the EXT50C is listed to UL 1449 Edition 3. The EXT50C is listed as a TYPE 1 device which means you don't have to worry about where to install it can be installed upstream or downstream of the service main disconnect.

Using special hybrid technology, the EXT series has lower let through voltages at high surge currents than similar hardware devices. In addition its technology prevents premature failure under unusual voltage excursions.

Exclusive multipath protection means that redundant surge elements continue to provide protection even should an internal surge element fail. The EXT series includes intelligent indicators for each protection mode. You can confirm total protection with a quick inspection of the LED indicators.

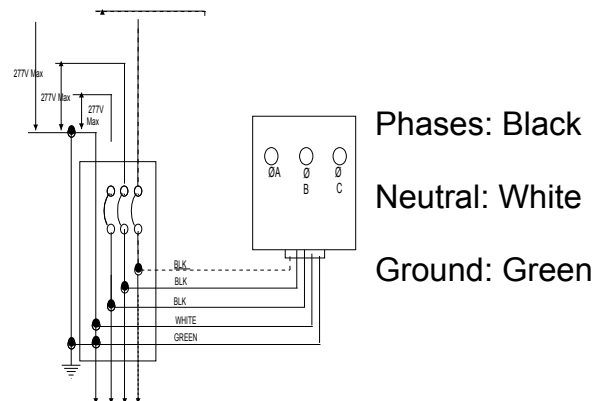
INSTALLATION INFORMATION

The EXT series is listed as a TVSS to UL1449 Edition 3. The EXT series is rated as a TYPE 1 SPD device for installation on electric services upstream or downstream of the main. It must be installed per National Electric Code.

The EXT can be installed on services rated for up to 200,000 Amps fault current without external fusing. For services rated more than 200,000 Amps, contact KENICK.

ORDERING INFORMATION

Available voltages:
 EXT50C-120/240 1Ph,
 EXT50C-120/208Y 3Ph,
 EXT50C-120/240D 3 Ph,
 EXT50C-277/480 3 PH
 EXT50C-UPS 3PH Universal Voltage





Features:

- 120or240Volt 20AmpSeries Hardwired
- Automatic recovery
- Fast response time
- Powerline tracking
- Multi-StageHybrid Design
- Easy Installation

DESCRIPTION

The VSS20-PM is an advanced multi-stage hybrid, solid state power line protector. Features such as common mode and normal mode sup-pression, nanosecond reaction time, power line tracking, and simple wire terminations, make the VSS20-PM an excellent choice in commercial and industrial applications.

The VSS20PM takes up NO internal panel room; it's designed to be mounted externally through a half inch knockout.

The VSS20-PM utilizes a Patented* X-Coil™ surge balancing coil. This insures best clamping performance of all internal surge elements.

The VSS20-PM contains internal fuses designed to remove the load (protected equipment) from the line if the unit is subject to long term overvolt-gaes or the internal protection fails. This feature prevents surges from entering equipment through a failed protector, not noticed by the user. The VSS20-PM is universal: it can be used on any single phase circuit of either 120Vac or

240Vac. It is designed to carry 20 Amp max current so it fits any commercial wiring system.

The VSS20-PM is a series surge device so it has separate input wires and output wires. The output wires are clearly marked and connect to the elec-tronics that are to be protected. Simple wire splic-es or wire nuts are acceptable connections to the VSS20-PM

SPECIFICATIONS

SPD Type 2	
Clamping Cat.:	400V L-N, 400V L-G
Max Single Pulse.....	10kA
Response Time.....	<5 nanoseconds
Operational Temperature.....	20°C to +85°C
Failure Indication.....	LED
Operational Voltage.....	120 or 240VAC, 60Hz
Operational Current.....	20 AMPS Service
Dimensions.....	2.87" x 5.25" x 1.75"

INSTALLATION

1. Mount VSS20-PM in a 1/2" knockout in the panel housing.
2. Make sure wiring from power sources properly connects to line side of VSS20-PM.
Wiring from protected equipment must properly connect to EQUIP side of VSS20-PM.
3. Indication of internal failure:
 - a. Indicator will extinguish
 - b. Fuse blown will disconnect load from power source.
4. Connect only to 120 or 240 VAC, 20 Amp max., single phase, three wire circuit.

HSP-121-BT-1RU



Features:

- 120Volt 15AmpHardwired
- Automatic recovery
- Fast response time
- Powerline tracking
- 3 Stage Hybrid Design
- UL1449 Recognized

DESCRIPTION

The HSP121BT-1RU is an advanced 3 stage hybrid, solid state power line protector. Features such as noise filtering, common mode and normal mode suppression, nanosecond reaction time, power line tracking, and compression screw terminations, make the HSP121BT-1RU an excellent choice in commercial and industrial applications.

The HSP121BT-1RU offers a replaceable fuse designed to remove the load (protected equipment) from the line if the unit is either over-loaded or the internal protection fails. This feature prevents surges from entering equipment through a failed protector, not noticed by the user. Unlike models with only an indicator, which may take weeks to notice, the HSP121BT-1RU demands immediate attention upon the unlikely occurrence of internal failure.

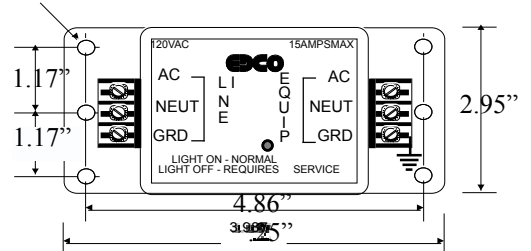
Clamping Cat.: 330V L-N, 400V L-G

SPECIFICATIONS

ANSI/IEEE C62.41 1991-Cat. CI/B3
 Peak Clamp Voltage.....315V L-N, 350V L-G
 Max Single Pulse..... 10kA
 Response Time..... <5 nanoseconds
 Operational Temperature..... 20°C to +85°C
 Failure Indication..... LED
 Operational Voltage..... 120VAC, 60Hz
 Operational Current..... 15 AMPS Service
 Dimensions..... 2.87" x 5.25" x 1.75"

DIMENSIONS

HOLES 3/16" DIA.



INSTALLATION

1. Mount HSP121BT-1RU in a UL listed housing.
2. Make sure wiring from power sources properly connects to line side of HSP.
Wiring from protected equipment must properly connect to EQUIP side of HSP.
3. Indication of internal failure:
 - a. Indicator will extinguish
 - b. Fuse blown will disconnect load from power source.

WARNING: For continued protection against risk of fire, replace only with same type rating of fuse.

4. Connect only to 120 VAC, 15 Amp max., single phase, three wire circuit.



Features:

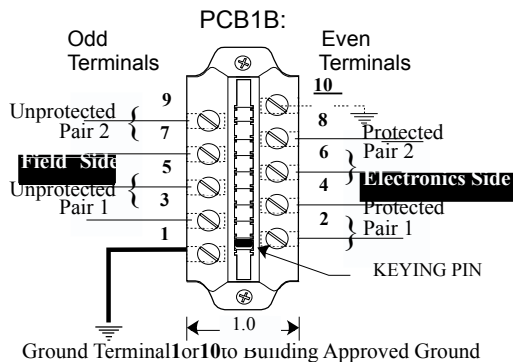
- Lightning Protection for Low Voltage
- Data Signal Lines
- Three-Stage Protection
- Sneak/Fault Current Protection Re-settable Fusing-PTC's
- Low Capacitance Options
- Plug-in Module
- UL497B Listed

DESCRIPTION:

The PC642 Series surge suppressor is a dual pair (four wire) module implementing three stage hybrid technology. This module addresses over voltage transients with gas tubes and silicon avalanche components. In addition, sneak and fault currents are mitigated with resettable fuses (PTC's).

The PC642 card edge module is designed to mate with the PCB1B female terminal connector.

TERMINAL ASSIGNMENTS



SPECIFICATIONS

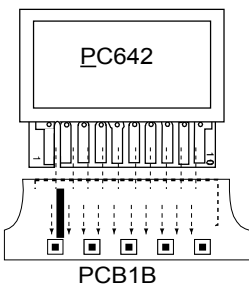
Peak Surge Current (10 times):	
8 x 20µs	10kA
10 x 700µs	500A per line
Life Expectancy: 8 x 20µs (2000A)	
	>100 occurrences 10 x 700µs (400A)
Response Time	<1 nanosecond
Voltage Clamp	8, 15, 20, 30, 36, 43, 50, 60 or 200 Technology
Resistance (depends on mod.)	SAD Hybrid
Capacitance (average):	
Standard models	1500pf
Low Capacitance models	50pf
Operating Temperature	-40°C to +85°C
Weight	2.0 oz.
Dimensions PC642 & PCB1B:	

HxWxL..... 1.8" x 1.0" x 2.4"

Caution: The hybrid design of this product includes series resistance. Do not place this product in service on any signal line capable of supplying more than 150 milliamperes continuously.

Wire wound resistors are used instead of "PTC's" on low capacitance models (PC642C-___ LC) and mod-

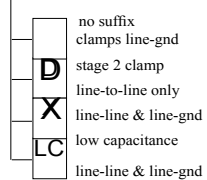
ORDERING INFORMATION



APPLICATION

RS485, RS422:	PC642C-008LC & PCB1B
RS423, TokenRing:	PC642C-008LC & PCB1B
RS232	PC642C-020 & PCB1B
E-NET, 10BASET:	PC642C-030LC & PCB1B
4-20 ma Tele-	PC642C-030 & PCB1B
phone(C.O. line):	PC642C-200 & PCB1B
Telephone T1 Data:	PC642C-060LC & PCB1B

PC642C					
VOLTAGE CLAMP					
8 Volts	0	0	8		
15 Volts	0	1	5		
20 Volts	0	2	0		
30 Volts	0	3	0		
36 Volts	0	3	6		
43 Volts	0	4	3		
50 Volts	0	5	0		
60 Volts	0	6	0		
*200 Volts	2	0	0		



(see note: □)
* Not ULListed



Features:

- <1 Nanosecond Response Time
- Solid-State Silicon Breakover Technology
- Low Capacitance
- UL497A Listed
- Resettable fuses PTCs

Application: General Use Tele-

The FAS-TEL and FAS-31XT are single pair telephone or data line protectors that implement advanced two stage hybrid design. These units address over voltage transients with silicon breakover devices, while sneak and fault currents are mitigated with new "PTC" technology which consist of solid state re-settable fuses.

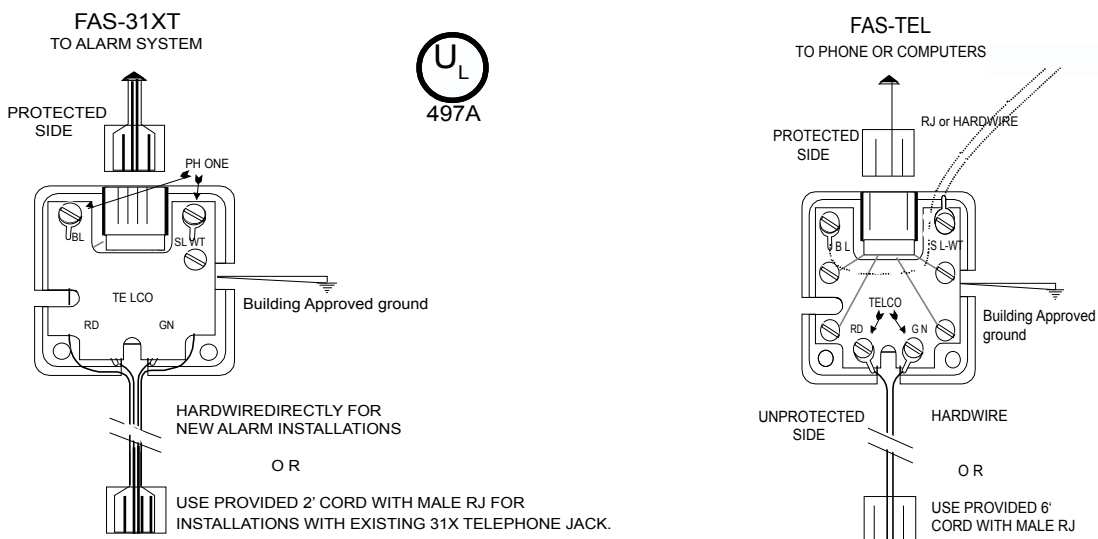
FAS-31XT replaces the RJ31X jack with a protected version. Four screw terminals are provided to wire the protector in the same manner as a standard RJ31X jack. The FAS-31XT can be used alone or as an accessory to a plug in surge protector. Use a plug in protector that will provide a convenient grounding point for the FAS-31XT / FAS-TEL ground wire.

SPECIFICATIONS

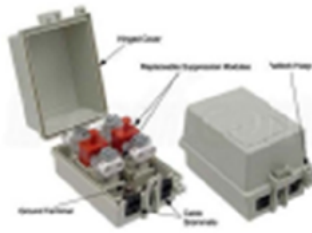
Part Number	Max Peak Signal Voltage	Nominal Breakdown Voltage	MaxClamp Voltage @ Ip	Max Current Ip 10X1000µs	Typ Cap (pf)	Max Continuous Current	Nominal Series Resistance
FAS-TEL-015T	12	15	20	124	2100	150ma	8 Ohms
FAS-TEL-030T	24	30	38	71	1180	150ma	8 Ohms
FAS-TEL-050T	43	50	57	45	900	150ma	8 Ohms
FAS-TEL-060T	52	60	66	36	750	150ma	8 Ohms
FAS-TEL-200T	220	300	10 *	200A (T-G)+(R-G)	100	150ma	8 Ohms
FAS-31XT	220	300	10 *	200A (T-G)+(R-G)	100	150ma	8 Ohms

* NOTE: Forward Voltage After Breakover

INSTALLATION



Tel Twin Suppressor



212FF Video Suppressor

Features:

- Designed to be installed with main electrical surge suppression
- Automatic recovery
- Fast response time
- High Energy Video suppressor
- Dual telephone line protector with replaceable modules
- Meets all applicable standards

DESCRIPTION

The Service Entrance Protection package consists of a high quality video suppressor plus a twin telephone suppressor. This package is designed for utility surge protection programs where an outside "service entrance" surge suppressor is installed. The package features easy installation by qualified personnel.

The 212FF Video Data Suppressor protects electronic cable equipment from lightning and power induced surges on coaxial drop cables. It is specifically designed for today's Broadband Hybrid Fiber Coax and Fiber-To-The-Curb distribution networks. A convenient ground connection is located on the mounting block.

The Tel Twin suppressor is weather resistant and provides superior lightning and surge protection for up to two Telephone, DSL, ISDN or T1 lines. Protection is provided by dual suppression modules that feature self-sealing screw terminals. The suppression modules feature field replaceable cartridges.

The Twin Tel suppressor features an impact and weather resistant enclosure. Break-away holes are provided on the rear of the enclosure for mounting. A ground terminal is provided in the lightning protector enclosure providing superior grounding.

212FF Video

SPECIFICATIONS

Listed to UL 497 & CSA Certified
Frequency Range DC - 1.5 GHz
Frequency Range DC - 1.5 GHz
Designed for Broadband Network Applications

Twin Tel

Replaceable surge modules
Clamping Voltage 230 V
Dimensions 2.52 x 2.39 x 4 (inches)
Protects up to two phone lines
Locking hinged cover & self sealing terminals
Easy installation, no wire stripping required

INSTALLATION

212FF Video

1. Mount 212FF Video near main service suppression.
2. Connect Coax IN and Out
3. Connect ground to same ground as main service suppression.

Twin Tel

1. Mount Twin Tel near main service suppression using break away holes inside enclosure.
2. Insert inbound tel wires into input connector and tighten screws.
3. Insert outbound tel wires into output connector and tighten screws.
4. Connect ground to same ground as main service suppression

PMD2 Wall Mount Series



Features:

- 120 Volt General Use
- Twin Receptacle
- Simple Plug-In Installation
- Intelligent indicator diagnoses wiring and grounding
- Available with telephone protection, video protection or both
- Multi-stage protection

DESCRIPTION

The PMD2 series wall mount suppressor is designed to protect 120 volt electronics with up to 15 amps current carrying capability. PMD2 has outlets on the sides (90 degree angle from one another) to accommodate a variety of plugs.

The PMD2 features multi-stage suppression giving the benefits of lowest clamping voltage even at very high surge energy. The PM2D provides clean power by filtering out noise common to household power

In the event of a catastrophic surge such as lightning, it completely disconnects AC power to connected equipment.

The PMD2 series is UL listed to the latest 3rd edition 1449 standard.

SPECIFICATIONS

120V single circuit

UL Clamp Voltage (500) amps: < 330 volts

Response time: less than 1 nanosecond

Powerful 20mm MOV elements

Output disconnect on failure

Thermal fused MOVs for fail safe disconnect

PMD2-CT



PMD2-C



ORDERING INFORMATION

All models are 120 Volt single circuit.

PMD2 Twin Receptacle

PMD2-CT Combo with telephone & video protection

PMD2-C Combo with video protection

PMD2-T Combo with Telephone protection

Kenick.com | 800.362.9997

Catalog Copyright © KENICK, Inc.